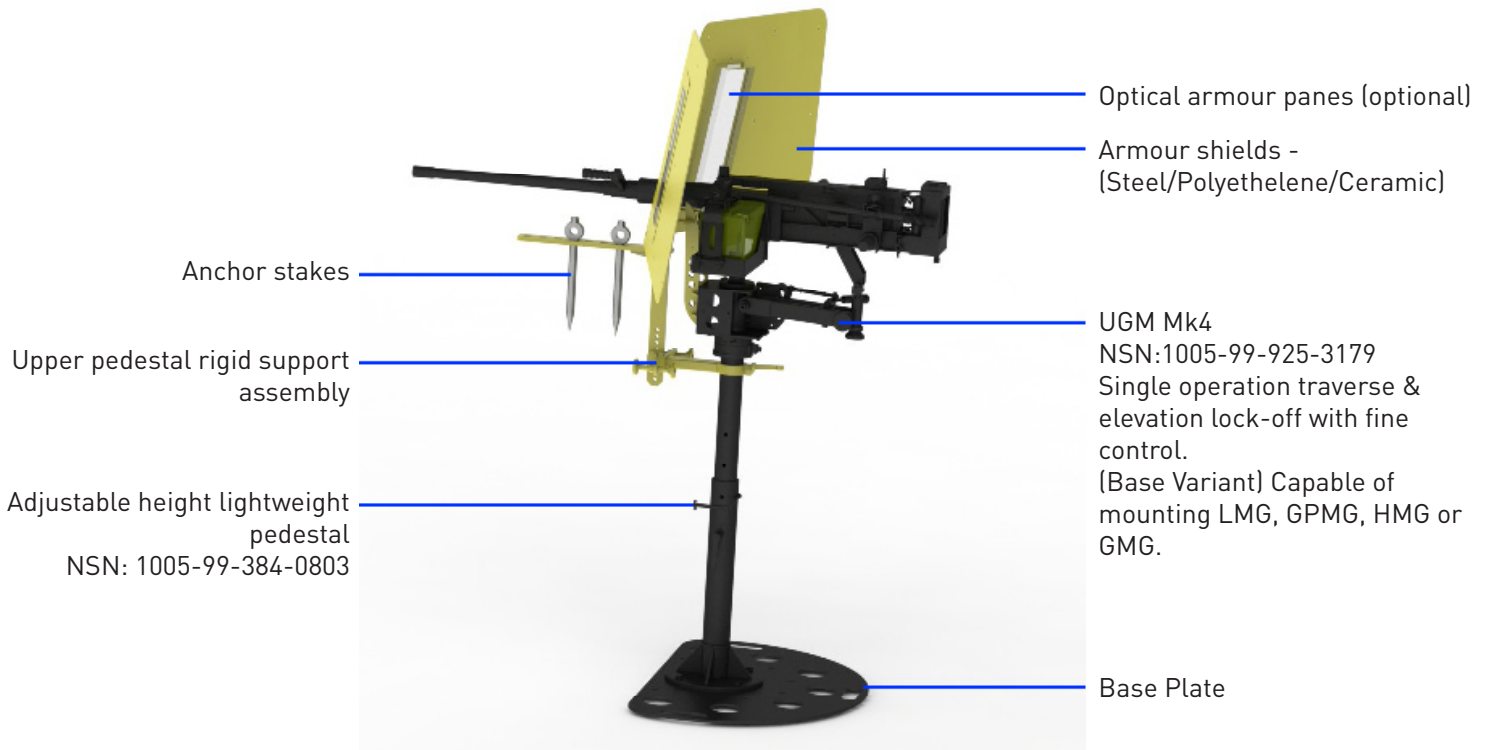


Component Parts



System Options

Man Portable System

The Man Portable system utilises a specially designed lightweight interface to allow LMG, GPMG, HMG, GMG and their respective softmounts to be fitted. All components have been especially designed to be lightweight and man portable. The system can easily be broken down into its component parts and carried over distance by an infantry section thereby allowing for protected support weapon positions in hastily defended locations.

Base Location System

The Base Location System is exactly the same as the Man Portable system but instead of using the lightweight interface, it utilises the Universal Gun Mount (UGM) to fit LMG, GPMG, HMG and GMG. The System enables the full capabilities of the UGMs' accurate, easy to use traverse and elevation system to be utilised.

Both systems are capable of mounting lightweight shields and fit to the same lightweight height adjustable pedestal. The Man Portable System is easily upgradeable to the Base Location System. Both systems can be erected by two men in under 30 minutes.

Protected Pedestal Gun Mount (PPGM)

ISTEC:7347 Description

The PPGM allows sangars and Forward Operating Base (FOB) defences to be enhanced with a protected support weapon gun mount.

The system allows the full range of support weapons that interface with the Universal Gun Mount (UGM) to be fitted. Protection levels vary according to threat and scenario. These include large shields offering 90° protection to Stanag Level 3(-) for use on bastions without other protection, down to smaller shields to be used with sangars.

The system is fully height adjustable to fit a variety of protection systems including pre built sangars, HESCO Bastion or Adobe walls.

Key Features

- Provides protection to support weapon firing positions.
- Fully integrated with the in-service Universal Gun Mount (UGM).
NSN: 1005-99-925-3179
- Utilises the in-service Pedestal -
NSN: 1005-99-384-0803
- User defined Protection Level up to Stanag 3(-).
- Optional Armoured Glass (Stanag Level 1) to aid situational awareness and target aquisition.
- Light weight and Height adjustable.
- Up to 90 degrees of lateral protection for the gunner.
- +/- 80 degrees arc of fire.
- UK manufactured.
- Optional overhead weather protection.
- Fully POINTER enabled.

