

Swing Arms - Technical Data

Single Arm - ISTECS: 7633

Double Arm - ISTECS: 7634

Single Arm

Mass: 7.5kg

Material: Stainless Steel (304)

Protective Finish: Powder Coat/Paint/Colour to customer requirement.

Swept Radius: 325mm

Height: 126mm

Load Carrying Capacity: 60kg

Arc Stops: Overridable; non adjustable stop positions (x2) to customer requirement.

Locks: Transmit and variable traverse

Interfaces: **Platform/Base Plate**

Bolt Pattern: 160mm x 125mm

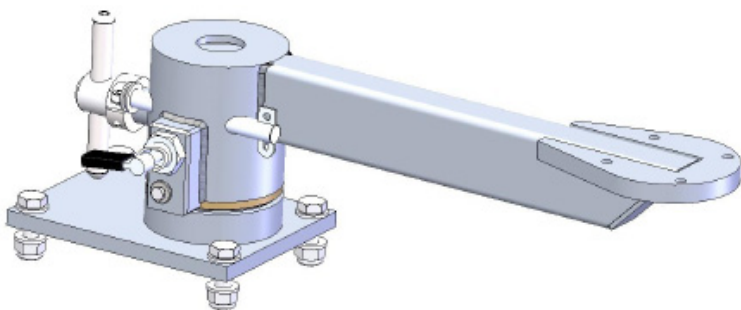
Holes: 140mm x 100mm 10.5 (x4)

Equipment Mounting Base

Circular diameter: 90mm

Bolt Pattern: 54mm x 54mm

Holes: M8 (x4)



Double Arm

Mass: 9.5kg

Material: Stainless Steel (304)

Protective Finish: Powder Coat/Paint/Colour to customer requirement.

Length (centreline to centreline dist.):

Retracted: 450mm

Extended/Swept Radius: 800mm (max)

Height: 137mm

Load Carrying Capacity: 40kg

Arc Stops: On main spigot only. Overridable; non adjustable stop positions (x2) to customer requirement.

Locks: Traverse - Both arms

Transit - Retracted Position

Interfaces: **Platform/Base Plate**

Bolt Pattern: 126.5mm x 126.5mm

Holes: 100mm x 100mm 10.3 (x4)

Equipment Mounting Base

78mm x 78mm

Bolt Pattern: 54mm x 54mm

Holes: M8 (x4)

