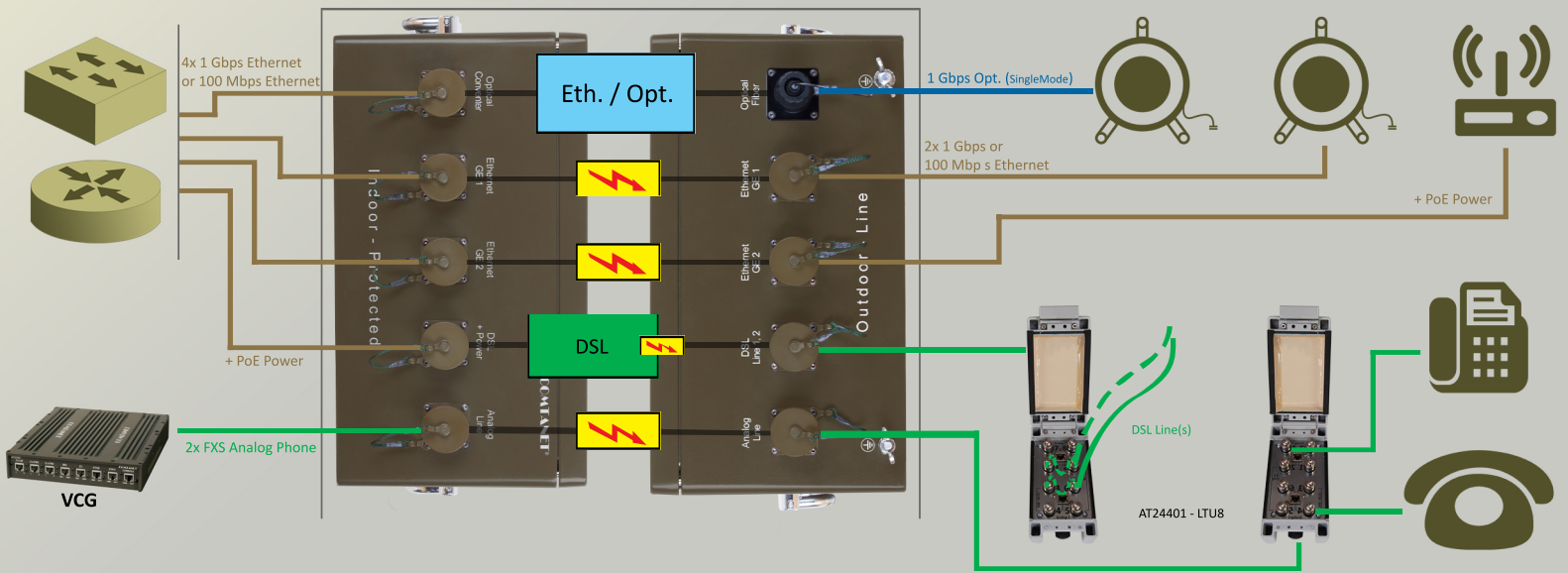




AT22301  
PROTECTION & MEDIA  
**CONVERTER BOX**

**FAST DATA TRANSFER**  
**WITH THE PROTECTION OF FIELD WIRES**



## Usage

- in creating Ethernet, DSL and optical connections to external networks with provision of line overvoltage protection
- in transport cases as well as separately at protection and conversion of transmission media
- in extreme weather and climate conditions

## Features

- surge protection level: 1+2+3 (EN 61643)
- lightning protection: LPZ 0<sub>B</sub> zone and higher (EN 62305-4)
- optical converter: 1 Gbps SingleMode to a range of 10 km
- SHDSL modem (max. 2 x 15.3 Mbps)
- 2 x Ethernet input/output with surge protection
- analog input/output: (2 x telephone line) with surge protection
- power supply: PoE – IEEE802.3af (at), max. 10W
- dimensions: 230 x 330 x 180 (d x w x h mm)
- weight: 8.8 kg
- protection: IP-67
- operating temperature: -40°C ÷ +70°C
- storage temperature: -50°C ÷ +85°C