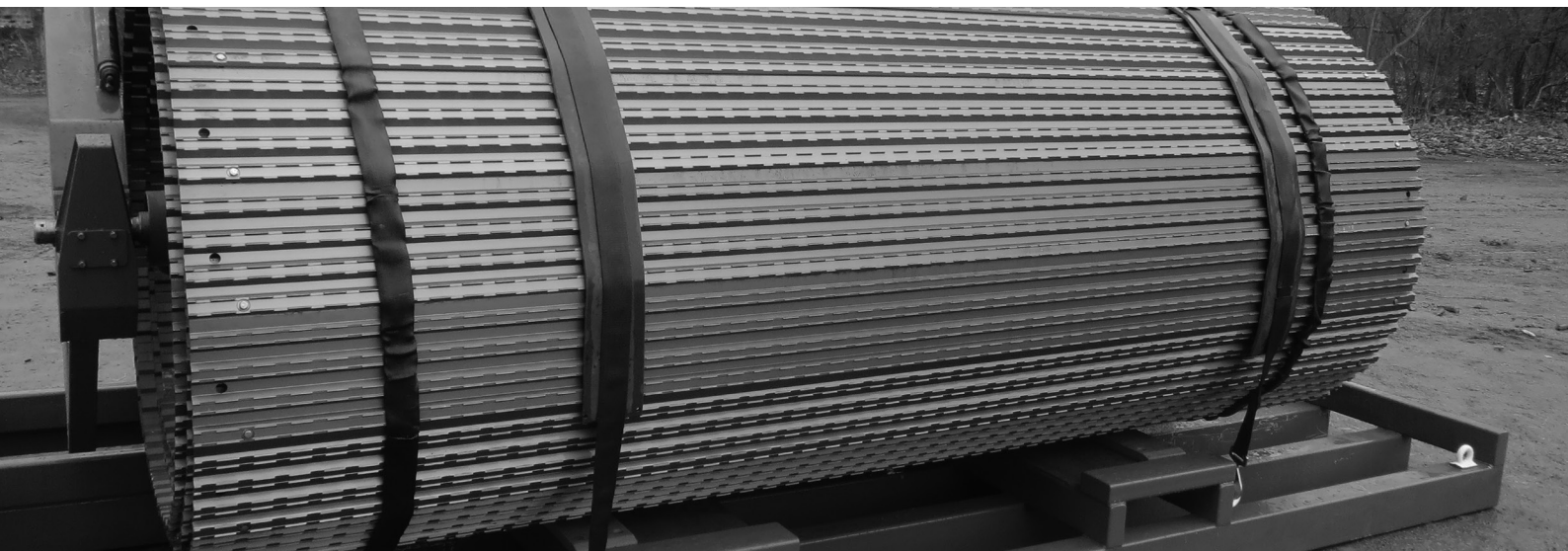


TECHNICAL INFORMATION

M30 BEAM DISPENSER



M30 TRACKWAY

M30 Trackway is offered alongside the Medium Ground Mobility System - Beam Dispenser (MGMS-BD).

M30:

FAUN Trackway M30 Trackway solutions derive from our original Military Load Classification (MLC) 30 Trackway. Due to MLC30 having the capability to withstand repeated loads of wheeled vehicles, the Trackway® has been graded as MLC 30 baseline on a 3% California Bearing Ratio (CBR) ground conditions indefinitely. However, it will support heavier loads up to a military load classification of MLC40 depending upon the ground condition.

CAPABILITY

The M30 Trackway has key capabilities which include:

- ▶ Creates roadways that can withstand traffic from vehicles with pneumatic tyres;
- ▶ Creates access and egress points from ships for beach landings;
- ▶ Facilitates vehicle access across terrains with low California Bearing Ratio (CBR);
- ▶ The technology ensures continuous vehicle mobility and avoids environmental damage caused by constant wear and tear from vehicle traffic;
- ▶ It can withstand loads in excess of 30T depending on the ground conditions and length of use;
- ▶ It provides a high traction surface;
- ▶ It can be supplied coiled onto a spool for mechanised deployment from the M30 Beam-Dispenser or Fastrack.

SPECIFICATION

The M30 Trackway can:

- ▶ Withstand temperatures ranging from -40°C to +60°C for maximum usability;
- ▶ Does not float and is therefore suitable for use in flowing water;
- ▶ Is 95% recyclable and has residual value at the end of its useful life;
- ▶ Is easily cleaned due to the open nature of the profile, minimising retention of mud and debris.

DIMENSIONS

- ▶ Width: 3354mm
- ▶ Effective Length: 232mm as standard
- ▶ Overall Length: 255mm
- ▶ Height: 25.5mm
- ▶ Effective Area: 0.767m²
- ▶ Total weight: 14.77kg
- ▶ Area weight: 19kg/m²

There are three divided panels in each 40m length of Trackway. Each divided panel has four sections.

Aluminium with male and female t-slot forming an articulated joint.

Panel size:

▶ Full panel =
(W) 3354mm x (L) 255mm x (H) 25.5mm

▶ Divided panel (long) =
(W) 1370mm x (L) 255mm x (H) 25.5mm

▶ Divided panel (short) =
(W) 305mm x (L) 255mm x (H) 25.5mm

Panel weight:

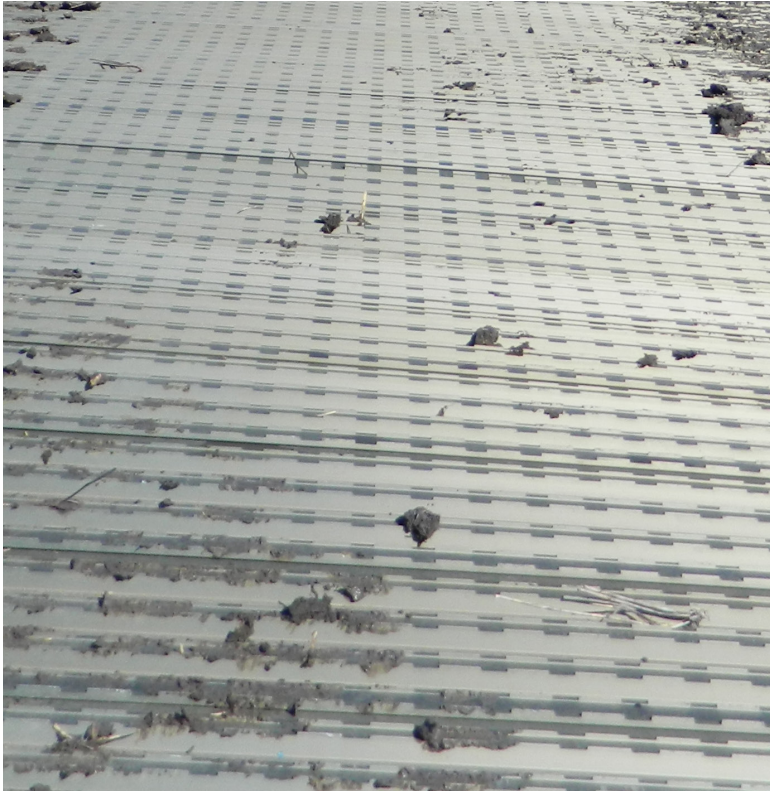
- ▶ Full panel = 14.77kg
- ▶ Divided panel (long) = 6.4kg
- ▶ Divided panel (short) = 1.4kg

Number of panels:

- Full panel = 171
- Divided panel = 4

OPTIONS INCLUDE:

- ▶ M30 Trackway anodised or powder coated to your colour specification;
- ▶ 5253497 Green and white sighting rods to aid accurate deployment. We recommend six;
- ▶ 5865172 M30 Trackway Anchorage kit to secure the Trackway on inclines.



M30 BEAM-DISPENSER

CAPABILITY

M30 Beam-Dispenser's numerous capabilities include:

- ▶ A plant mounted deployment, transportation, recovery and storage system for M30 Trackway;
- ▶ Mounted via a custom adapter plate and quick release coupling to a Front-End Loader or rough terrain Tele-handler with suitable lifting capacity. Also fitted with auxiliary hydraulic connections;
- ▶ Will deploy 40m of M30 Trackway in less than three minutes from a coil on an interchangeable spool at the centre of the dispenser. Also can recover 40m of M30 Trackway in less than five minutes;
- ▶ Requires just two personnel - one plant operator and one ground guide;
- ▶ Ensures that the Trackway is deployed under constant tension when driving a Front-End Loader or rough terrain Tele-handler forwards, preventing rucking and bow waves. Trackway is recovered hydraulically when reversing;
- ▶ Requires simple, periodic maintenance which offers a reduced useful life cost;
- ▶ Can be mounted to tele-handlers telescopic forklifts and wheeled loaders subject to specification;
- ▶ Facilitates fast deployment of multiple sections of Trackway. An empty spool can be released and replaced with a full spool ready for deployment in less than five minutes;
- ▶ Is supplied to customer requirement specification;
- ▶ Withstands ambient temperatures ranging from -40°C to +60°C.

SPECIFICATION

- ▶ Steel construction with hydraulic motor (minimum requirement 40l/m, 210bar);
- ▶ Suitable for mineral oil and biodegradable oil;
- ▶ Operated by the host plant control system. Additional controls are not required;
- ▶ Connected to the host plant using quick hitch and quick release hydraulic couplings. Electrical connections are not required;



- ▶ The spool is locked in place on the Beam Dispenser by secured manual locking levers;
- ▶ The spooling in and out of the Trackway is controlled by the driver via the auxiliary hydraulic circuit of the host machine.

OPTIONS

- ▶ M30 Dispenser painted to your colour/specification;
- ▶ Manual recovery kit;
- ▶ Rotation head;
- ▶ Support Wheels.

DIMENSIONS

M30 Dispenser is available in two sizes. This includes 40m M30 Trackway and spool.

M30 Dispenser (3.3m width) with 40m M30 Trackway spooled		
Part Number		
	Metric	Imperial
Width	4280mm	14ft 1/2in
Length	2010mm	6ft 9in
Height	1430mm	4ft 11in
Weight	3450kg	7606lbs

**Plus interface*



PLS SHIPPING FRAME

CAPABILITY

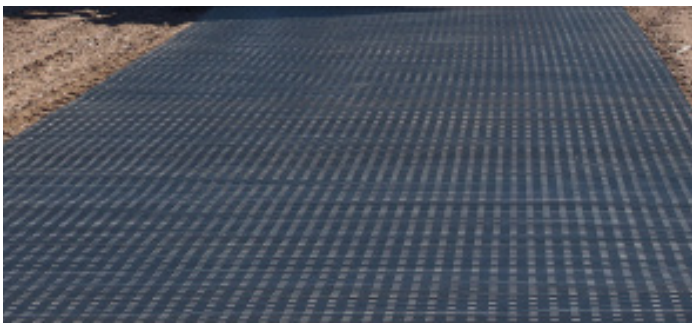
- ▶ Stores and transports M30 Dispenser with one full spool of 40m M30 Trackway;
- ▶ Comprises one accessory box, tie down points, lifting points and forklift pockets.

DIMENSIONS

The M30 Dispenser Shipping Frame is compatible with both sizes of M30 Dispenser.

M30 Spool Shipping Frame (suitable for both widths of M30 Trackway)		
Part Number		
	Metric	Imperial
Width	2462mm	8ft 1in
Length	6048mm	19ft 10in
Height	2000mm	6ft 6 ¾ in
Weight	5615kg	12379lbs

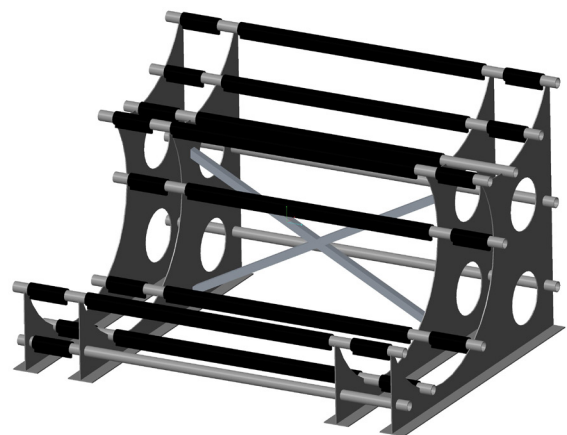
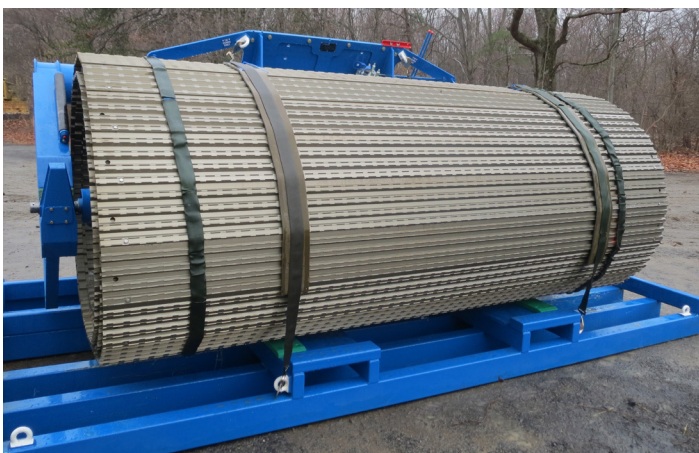
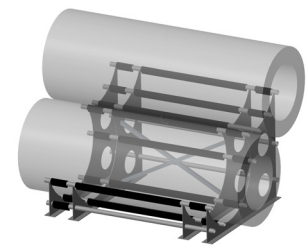
**Plus Interface & Accessories - 100-200kg*



M30 SPOOL SHIPPING FRAME

CAPABILITY

- ▶ Stores and transports up to two full spools of 40m M30 Trackway;
- ▶ Loaded by crane, tele-handler or forklift;
- ▶ Comprises one accessory box, tie down points, lifting points and forklift pockets.





FAUN Trackway Limited
Member of the KIRCHHOFF Group

Bryn Cefni Industrial Estate,
Llangefni, Isle of Anglesey,
LL77 7XA, UK

www.faustrackway.co.uk

info@faustrackway.co.uk

Tel: 44 (0) 1248 722 777

Fax: 44 (0) 1248 750 490

