

The ImP Advanced Platform - Command and Control System

Land Variant



Courtesy of Force Protection Europe

ImP is the next generation lightweight IP based digital intercom where full system control is on the 'man' and not the vehicle.

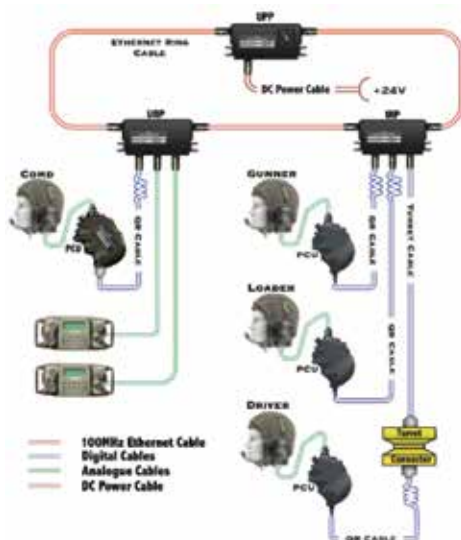
ImP's unique features include the Personal Communications Unit (PCU). This lightweight ergonomic controller provides full control of ImP using voice menu prompts and gives the user instant access to tactical radio networks.

FEATURES

- Accommodates intercom, radio and data communications in one system
- Rugged, lightweight and easy to use
- Compact and easy to install
- Remote configuration and programming
- 100 Mb Ethernet backbone for high speed data transmission
- Can be integrated with other solutions such as Battle Management Systems, Navigation Systems, Engine Management and Video Systems

SYSTEM CONFIGURATION EXAMPLES

MBT



Light Vehicle

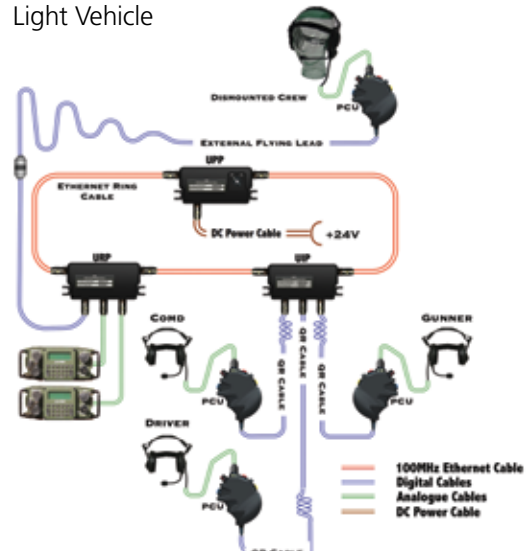




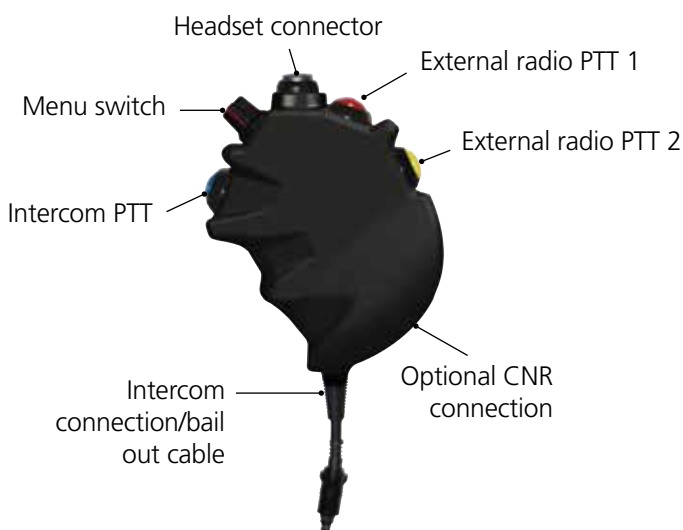
Photo by Richard Scott



Courtesy of Force Protection Europe

PERSONAL COMMUNICATIONS UNIT

TYPICAL HEADSET OPTIONS



HC-700D



HC-700



HP-200



HP-300
EarPAC



HP-150
EarPAC

SYSTEM SPECIFICATIONS

- Maximum number of users/radios: 500
- No Master Control Unit
- Operating modes: VOX, PTT
LIVE Microphone
Intercom off
- Full Ethernet topology with auto re-route in the event of battle damage
- Temperature -44°C to +70°C
- Ingress protection to IP67
- Indigenous voice prompts
- Compatible with most Vehicle Turret Rings
- Optional full Duplex wireless extension (~800m Range)
- Optional ANR headset compatible
- Optional binaural radio outputs
- Inbuilt Security protocols
- Selectable intercom groups/radio exclusions
- Full Ethernet Data Access - RS232 or other formats available upon request

For more information, please visit our website www.savox.com