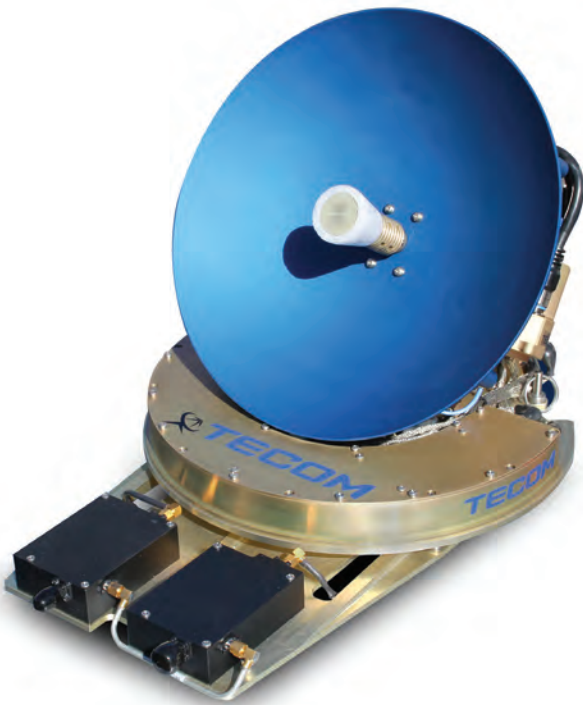
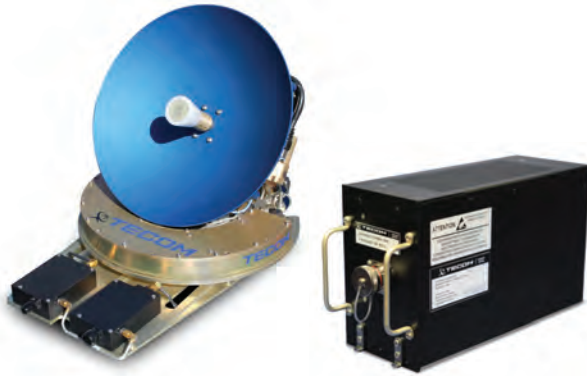




KaStream® 5000 MK II - Global Broadband In-Flight Connectivity



# KaStream® 5000 MK II



## Integrated 3 LRU Solution

Smiths Interconnect, a globally trusted and proven market leader for gate-to-gate in-flight connectivity introduces the KaStream® 5000 MK II Series. This next generation network-agnostic, high performance broadband SatCom terminal consists of 3 LRUs (Line Replaceable Units): A Satellite Tracking Antenna Assembly (STAA), an Antenna Control Unit (ACU) and a commercially available customer-selected modem.

### Satellite Tracking Antenna Assembly (STAA)

- Fully integrated solution combining the RF electronics, antenna aperture, and motion control system in a single LRU
- High efficiency thermal design to maximize operation in the harshest environments

### Antenna Control Unit (ACU)

- Interfaces with aircraft for navigation information
- Provides antenna positioning command and control
- Controls High Power Transceiver (HPT)

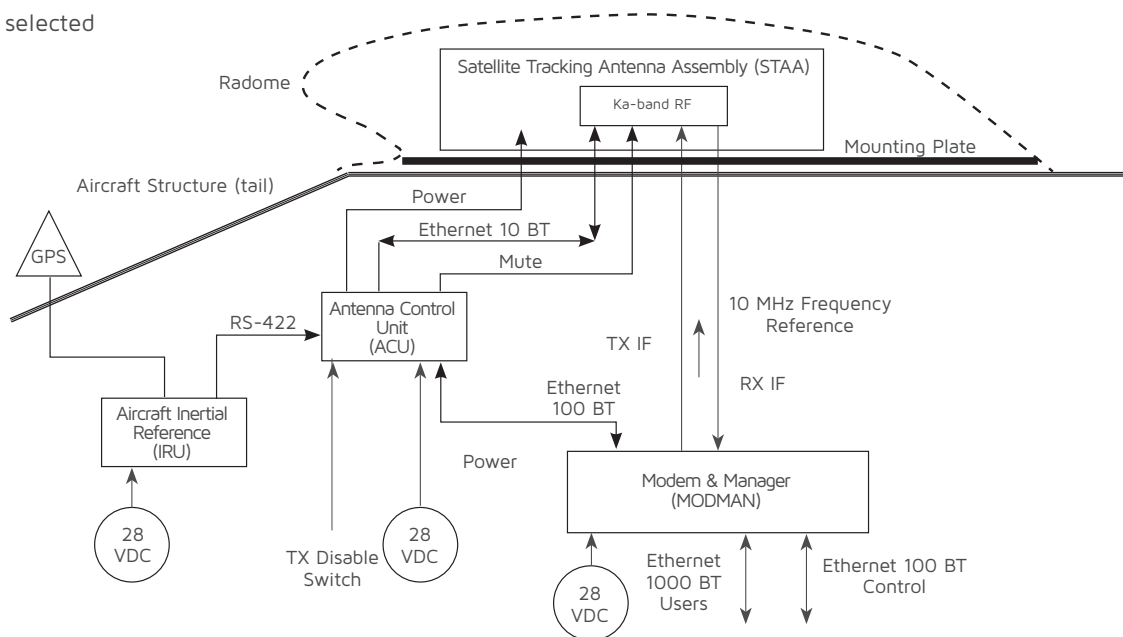
### Modem

- Customer selected

## Next generation Ka-broadband antenna system for in-flight connectivity

## Features & Benefits

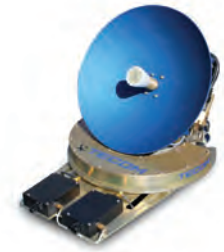
- Superior antenna system performance in transmit and receive
  - Maximizes satellite footprint usage, resulting in fewer satellites required for network operation, therefore reducing cost
- Ka-band RF spectrum coverage for commercial and military use
- Real-time switchable dual polarization
- Easily adaptable to most commercially available modems
- Offers maximum flexibility to operate on High Throughput Satellites (HTS)
- RTCA DO-160G Certified



# Technical Characteristics

## Ka-Band

<b>Operating Frequency</b>	19.2–21.2 GHz RX band 29.0–31.0 GHz TX band
<b>Polarization</b>	Switchable LHCP/RHCP TX orthogonal to RX
<b>G/T</b>	10.4 dB/K min @ 70°C, EL=10 degrees (no radome) 12.3 dB/K typical @ 17°C, EL=30 degrees (no radome)
<b>EIRP</b>	46.5 dBw Linear, 49.0 dBw PSAT
<b>Axial Ratio</b>	1.0 dB max TX, 1.5 dB max RX
<b>Azimuth Range of Motion</b>	0–360 degrees continuous rotation
<b>Elevation Range of Motion</b>	0–90 degrees
<b>Az/EI Velocity</b>	60 / 30 deg/sec
<b>Az/EI Acceleration</b>	60 / 60 deg/sec <sup>2</sup>
<b>Az/EI Position Resolution</b>	0.0063 degrees
<b>Tracking Accuracy</b>	<0.2 degrees RMS
<b>DC Power</b>	28VDC, 225W typical
<b>Weight - STAA</b>	25 lbs. max
<b>Size - STAA</b>	13.2" H x 16.4" L x 9.3" W, swept volume 12.0" diameter



## Antenna Control Unit (ACU)

<b>Power</b>	28VDC / 10A typical (400W max)
<b>Dimensions</b>	7.8" H x 14.27" L x 4.96" W
<b>Weight</b>	10.75 lbs. max



# Global Support

## Americas

- Costa Mesa, CA  
+1 714 371 1100  
info.us@smithsinterconnect.com
- Milpitas, CA  
+1 408 957 9607 x-1125  
info.us@smithsinterconnect.com
- Stuart, FL  
+1 772 286 9300  
info.us@smithsinterconnect.com
- Kirkland, QC, Canada  
+1 514 842 5179  
info.us@smithsinterconnect.com
- Hudson, MA  
+1 978 568 0451  
info.us@smithsinterconnect.com
- Northampton, MA  
+1 413 582 9620  
info.northampton@smithsinterconnectinc.com
- Tampa, FL  
+ 1 813 901 7200  
info.tampa@smithsinterconnectinc.com
- Kansas City, KS  
+1 913 342 5544  
info.us@smithsinterconnect.com
- Salisbury, MD  
+1 800 780 2169  
info.us@smithsinterconnect.com
- Thousand Oaks, CA  
+1 805 267 0100  
info.thousandoaks@smithsinterconnectinc.com

## Europe

- Deggendorf, Germany  
+49 991 250 120  
info.de@smithsinterconnect.com
- Genova, Italy  
+39 0 10 60361  
info.it@smithsinterconnect.com
- Dundee, UK  
+44 1382 427 200  
info.dundee@smithsinterconnect.com
- Rouen, France  
+33 2 32 96 91 76  
info.fr@smithsinterconnect.com
- Elstree, UK  
+44 20 8236 2400  
info.uk@smithsinterconnect.com

## Asia

- Bangalore, India  
+91 080 4241 0529  
info.in@smithsinterconnect.com
- Singapore  
+65 6846 1655  
info.asia@smithsinterconnect.com
- Mianyang, China  
+86 816 231 5566  
HSICSR@hf-smiths.com
- Suzhou, China  
+86 512 6273 1188  
info.asia@smithsinterconnect.com
- Shanghai, China  
+86 21 2283 8008  
info.asia@smithsinterconnect.com

more > [smithsinterconnect.com](https://www.smithsinterconnect.com)

