

Stealth Illuminator

Legacy High Output



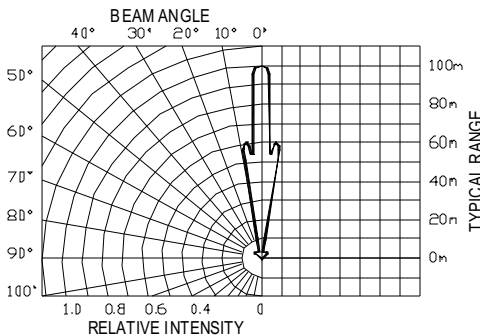
TECHNICAL SPECIFICATIONS

POWER REQUIREMENT	12Vdc TO 30Vdc (Typ. 24Vdc)
POWER CONSUMPTION	Max. 2.5W at 24Vdc
LOW OUTPUT INTENSITY	225mW/sr
HIGH OUTPUT INTENSITY	869mW/sr
WIRE TYPE	AWG #20 COPPER, POLYETHYLENE
WIRE SPECIFICATION	Automotive SAE J1128-SXL
PROTECTIVE SLEEVE	PVC CONDUIT 3/8"
WIRE LENGTH	16" (40cm) from Housing to wire end
HOUSING	ZINC PLATED CARBON STEEL TUBE
THREADED BASE	CARBON STEEL HEX BAR M8
DOMELENS	HIGH IMPACT POLYCARBONATE
OUTER DIMENSION	Dia. 1.5" (38.1mm) x 3.5" (88.9mm)
HOUSING FINISH	BLACK, MATTE SATIN POWDER COATED
WEIGHT	16oz (451g)
OPERATING TEMPERATURE	-40° TO +65° Celsius
STORAGE TEMPERATURE	-40° TO +80° Celsius
ENVIRONMENTAL SEAL	FULLY ENCAPSULATED UNIT, EPOXY
WATERPROOF RATING	IP68
VISIBILITY RANGE	16° / 100M

PRODUCT NUMBER

02710

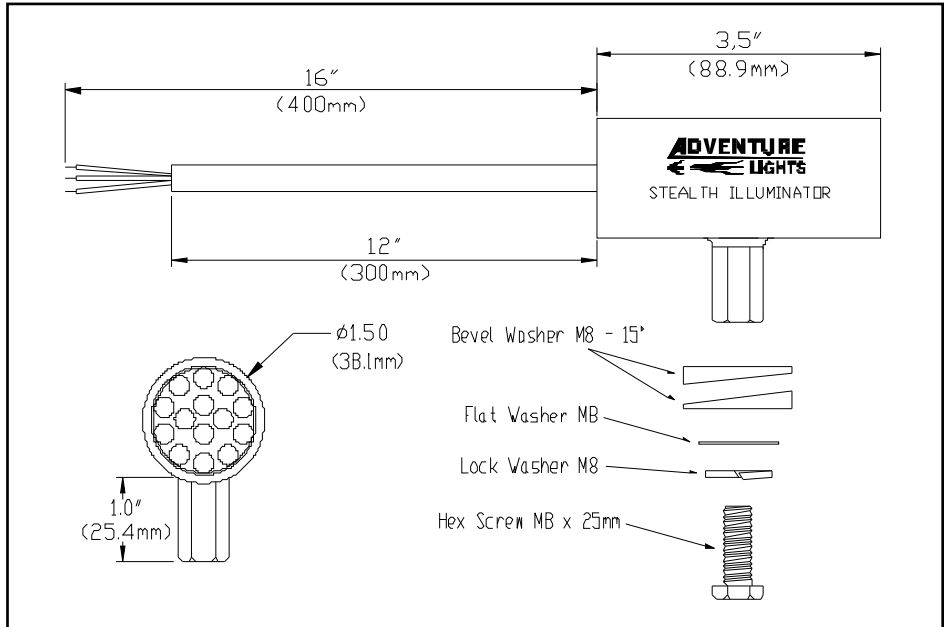
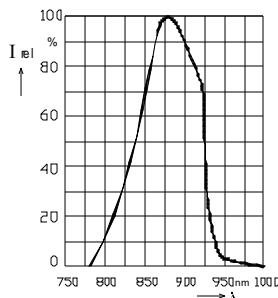
Radiation Characteristics *



NOTES:

- 1-Beam radiation angles are based on theoretical IR emitter values
- 2-Relative Intensity values are based on 896mW/sr output
- 3-Typical Illumination ranges are based on Adv. Lights proprietary field test results using night vision equipment. Results may vary depending on type of NV system used.

Spectral Emission



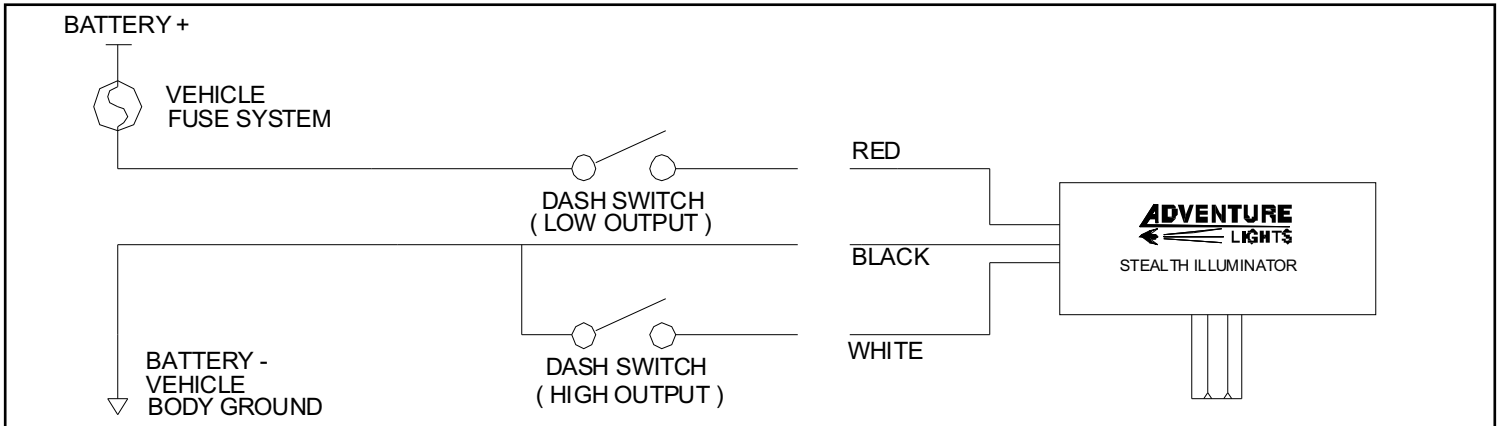
- FIXING SCREW (QTY: 1)** M8 x 25mm, STEEL ZINC PLATED
- LOCK WASHER (QTY: 1)** M8 SPLIT LOCK, STEEL ZINC PLATED
- FLAT WASHER (QTY: 1)** M8 FLAT, STEEL ZINC PLATED
- BEVELED WASHER (QTY: 2)** M8 x 8° CAST IRON, GALVANIZED

*REPLACEMENT HARDWARE PART KIT IS AVAILABLE UNDER P/N: 02700

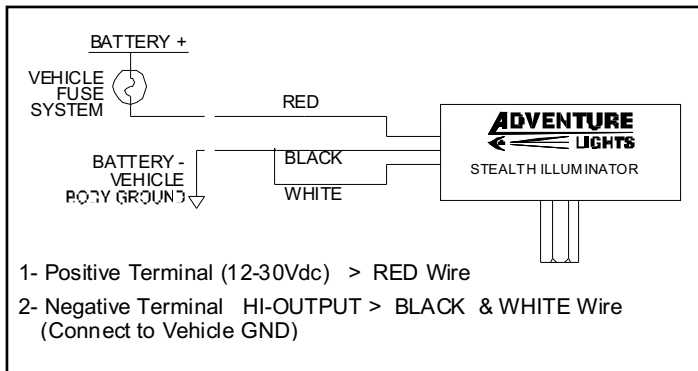
Stealth Illuminator

Legacy High Output

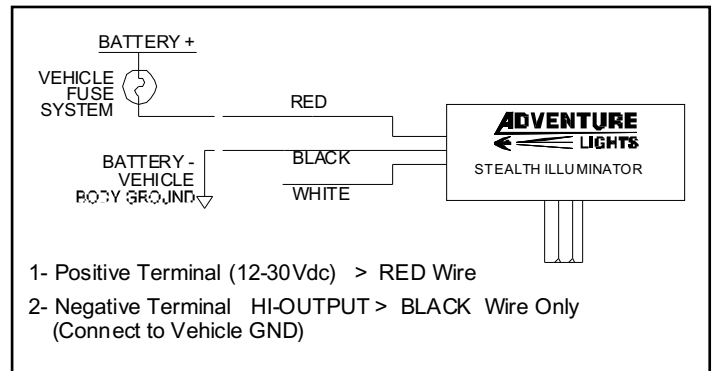
WIRING DIAGRAMS - DUAL INTENSITY



HIGH INTENSITY ONLY



LOW INTENSITY ONLY



REPLACEABLE COVER LENS

