

# Stealth Illuminator

## IR High Output Vehicle Light



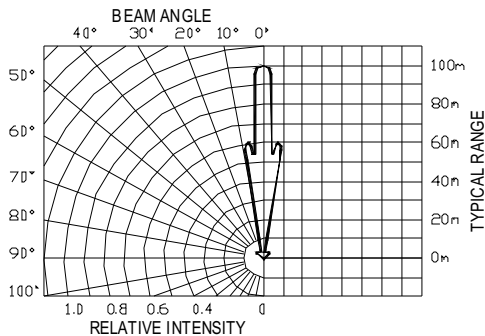
### TECHNICAL SPECIFICATIONS

<b>POWER REQUIREMENT</b>	12Vdc TO 30Vdc (Typ. 24Vdc)
<b>POWER CONSUMPTION</b>	Max. 2.5W at 24Vdc
<b>LOW OUTPUT INTENSITY</b>	225mW/sr
<b>HIGH OUTPUT INTENSITY</b>	896mW/sr
<b>WIRE TYPE</b>	AWG #20 COPPER, POLYETHYLENE
<b>WIRE SPECIFICATION</b>	Automotive SAE J1128-SXL
<b>PROTECTIVE SLEEVE</b>	PVC CONDUIT 3/8"
<b>WIRE LENGTH</b>	16" (40cm) from Housing to wire end
<b>HOUSING</b>	ZINC PLATED CARBON STEEL TUBE
<b>THREADED BASE</b>	STAINLESS STEEL HEX BAR M8
<b>DOMELENS</b>	HIGH IMPACT POLYCARBONATE
<b>OUTER DIMENSION</b>	Dia. 1.5" (38.1mm) x 3.5" (88.9mm)
<b>HOUSING FINISH</b>	BLACK, MATTE SATIN POWDER COATED
<b>WEIGHT</b>	16oz (451g)
<b>OPERATING TEMPERATURE</b>	-40° TO +65° Celsius
<b>STORAGE TEMPERATURE</b>	-40° TO +80° Celsius
<b>ENVIRONMENTAL SEAL</b>	FULLY ENCAPSULATED UNIT, EPOXY
<b>WATERPROOF RATING</b>	IP68
<b>VISIBILITY RANGE</b>	16' / 100M

### PRODUCT NUMBER

**02710**

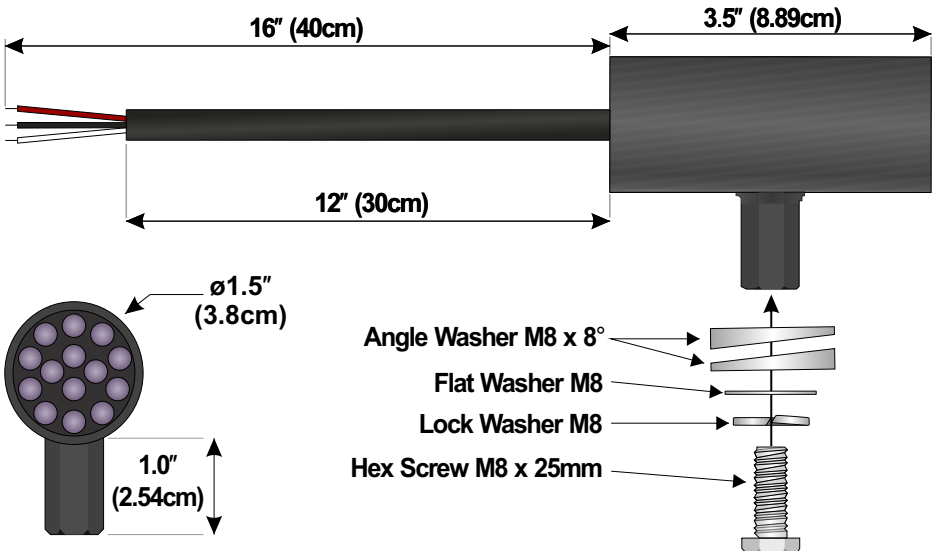
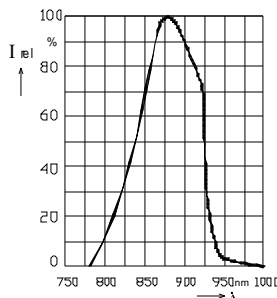
### Radiation Characteristics \*



**NOTES:**

1-Beam radiation angles are based on theoretical IR emitter values  
2-Relative Intensity values are based on 896mW/sr output  
3-Typical Illumination ranges are based on Adv. Lights proprietary field test results using night vision equipment. Results may vary depending on type of NV system used.

### Spectral Emission



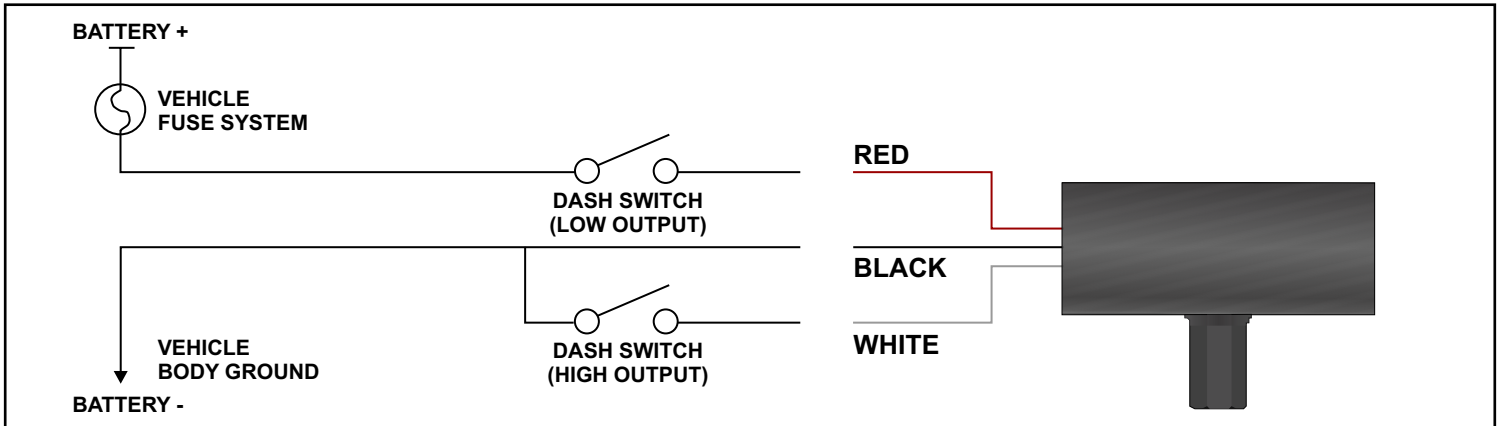
- FIXING SCREW** (QTY: 1) M8 x 25mm, STEEL ZINC PLATED
- LOCK WASHER** (QTY: 1) M8 SPLIT LOCK, STEEL ZINC PLATED
- FLAT WASHER** (QTY: 1) M8 FLAT, STEEL ZINC PLATED
- ANGLE WASHER** (QTY: 2) M8 x 8° CAST IRON, GALVANIZED

\*REPLACEMENT HARDWARE PART KIT IS AVAILABLE UNDER P/N: 02700

# Stealth Illuminator

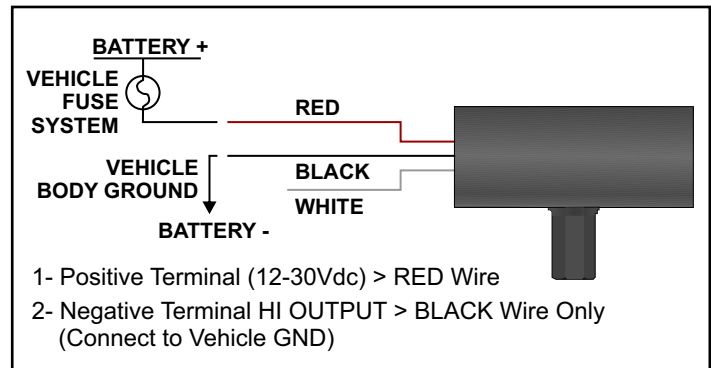
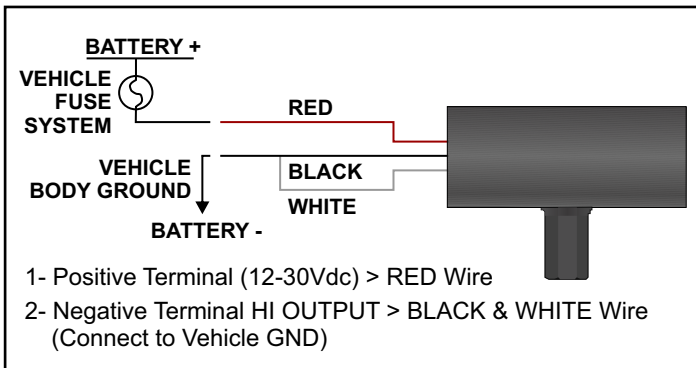
## IR High Output Vehicle Light

### WIRING DIAGRAMS - DUAL INTENSITY

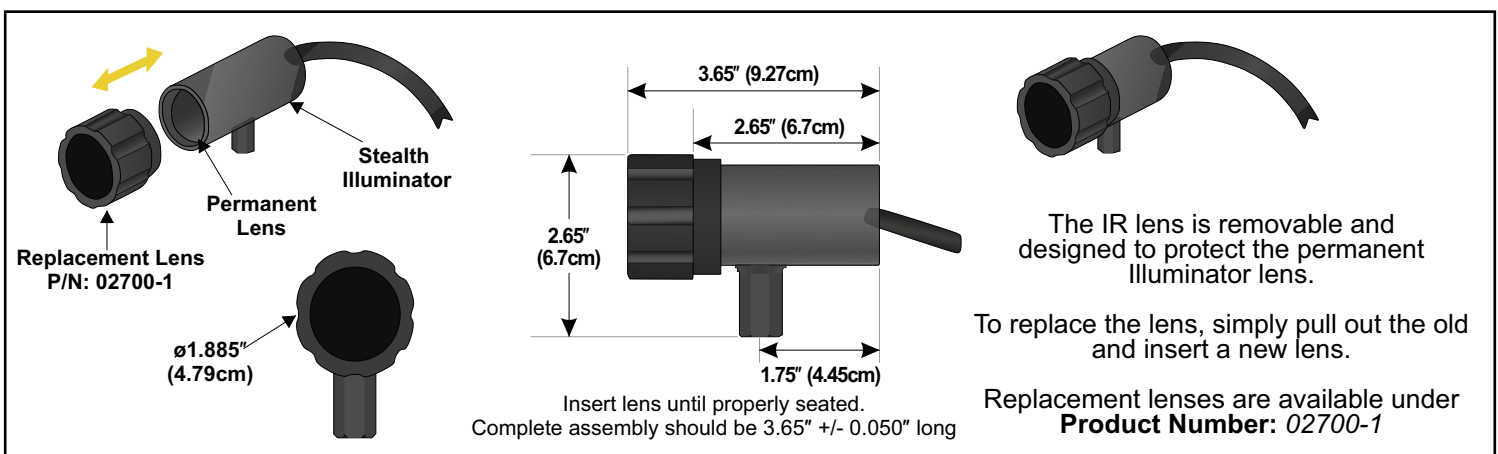


### HIGH INTENSITY ONLY

### LOW INTENSITY ONLY



### REPLACEABLE COVER LENS





# Stealth Illuminator<sup>TM</sup>

## IR High Output Vehicle Light

TM

### ANGLE WASHER DiN 434-8%



**Standard Set-Up**



0° Horizontal



**1 Angle Washer**



4.5° Down



**2 Angle Washers**



9° Down

*\*Stealth Illuminators are provided with two (2) Beveled Washers. The Alignment can be performed using additional Bevelled Washers DiN 434-8% or others, available in most local hardware stores or from Adventure Lights directly.*