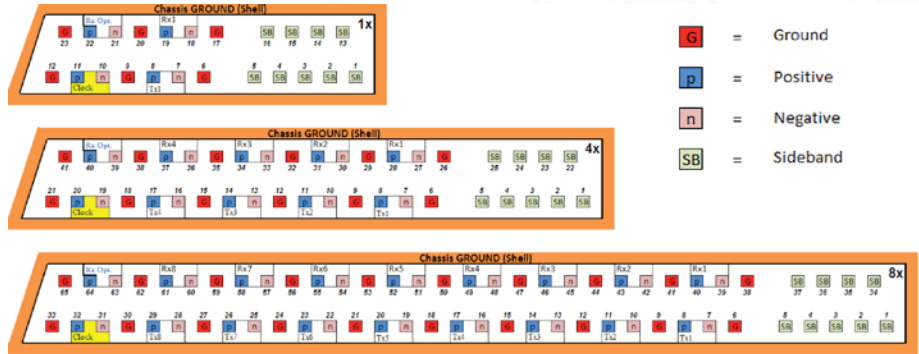




Vertical, Right-Angle & Cable

The microSI connector, designed to meet requirements for signal integrity applications, utilizes the design legacy of the M-Series contact system.

MicroSI delivers the reliability customers expect from AirBorn

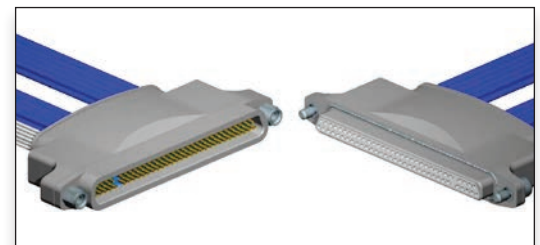
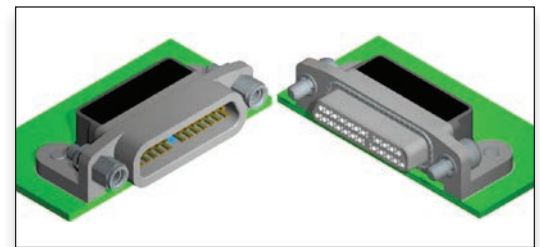
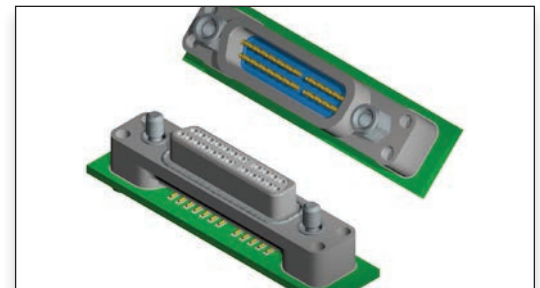


microSI delivers design flexibility by offering vertical board-mount, right angle board-mount, and cable I/O configurations supporting 1X, 4X, and 8X 100 Ω differential serial buses. Its balanced design limits skew within pairs. The MIL-DTL-83513 (Micro-D) qualified contact system and metal shells ensure ruggedness and durability.

Features & Benefits



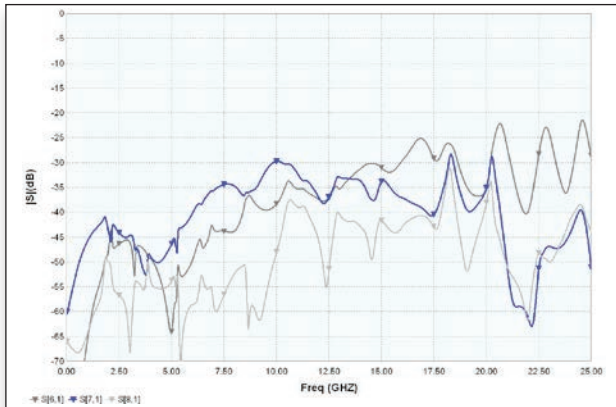
- 9 sideband connections included
- Balanced lengths within pairs limit skew
- Configured for serial buses 1x, 4x and 8x
- Contact system has over 30 years of space flight legacy
- Field tested – four independent tine, gold plated contact system offers superior performance and reliability
- High-speed Micro-D optimized up to 10 GB/s
- Rugged metal shells and hoods
- Shell ground independent of signal pair grounds
- Shell-to-shell EMI interface gasket
- Versatile product offering includes both genders of vertical board, right angle board, and cable



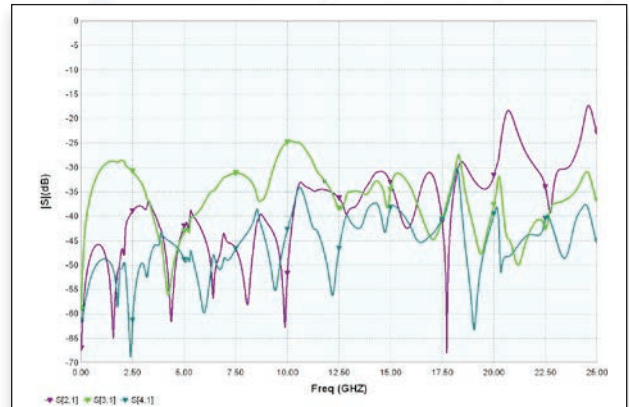
MSIB-B



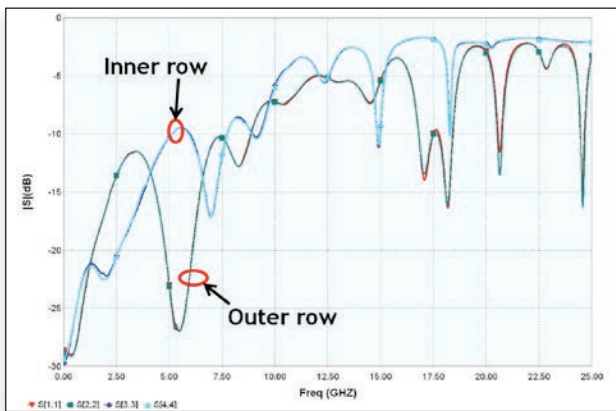
SI Performance Summary for Mated, Right-Angle Set



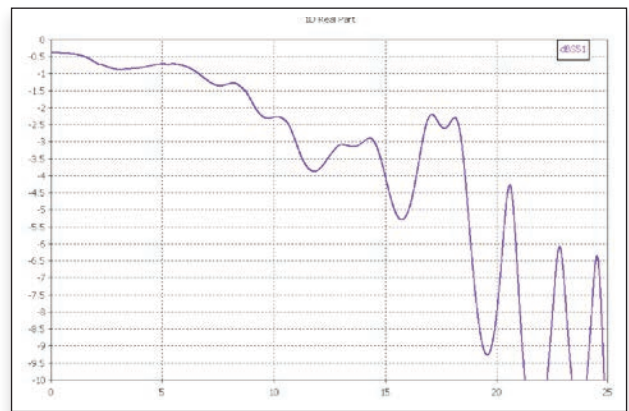
Far End Crosstalk, Port 1 Driven



Near End Crosstalk, Port 1 Driven

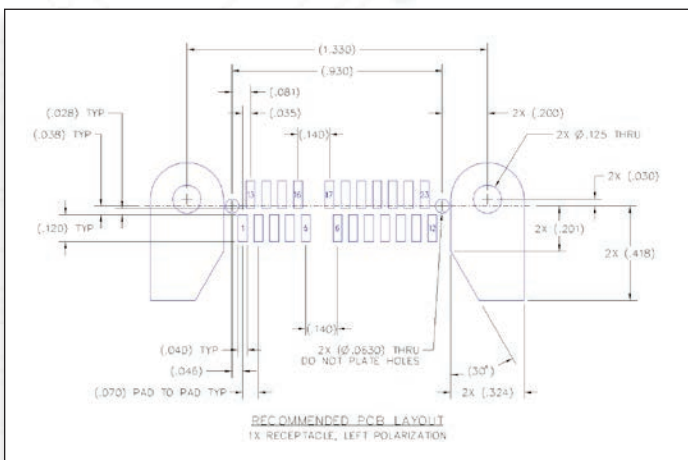


Return Loss

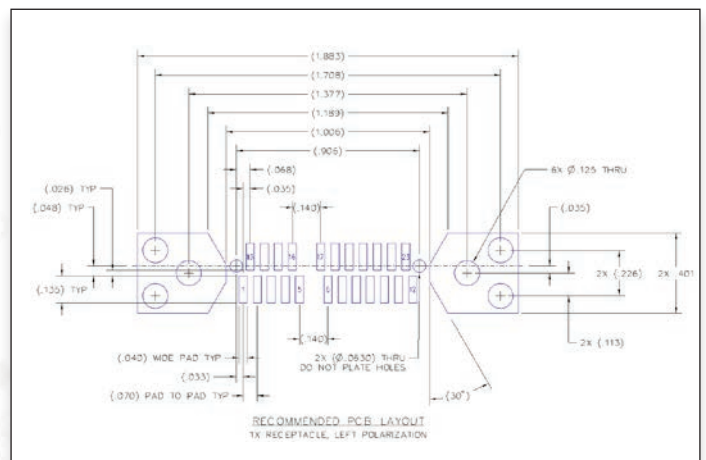


Insertion Loss, Outside Row

1x PCB Footprint



Right Angle



Vertical